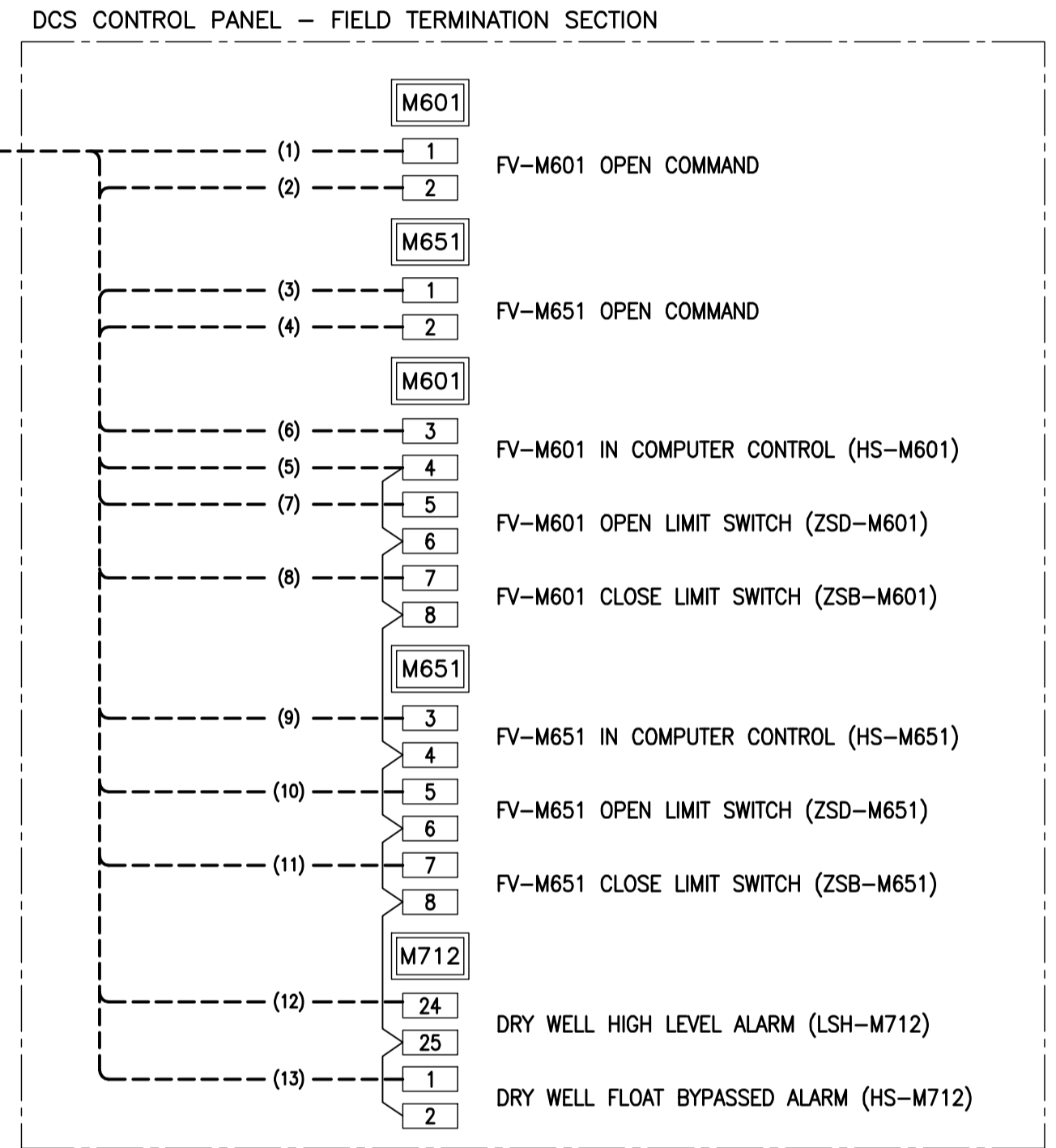
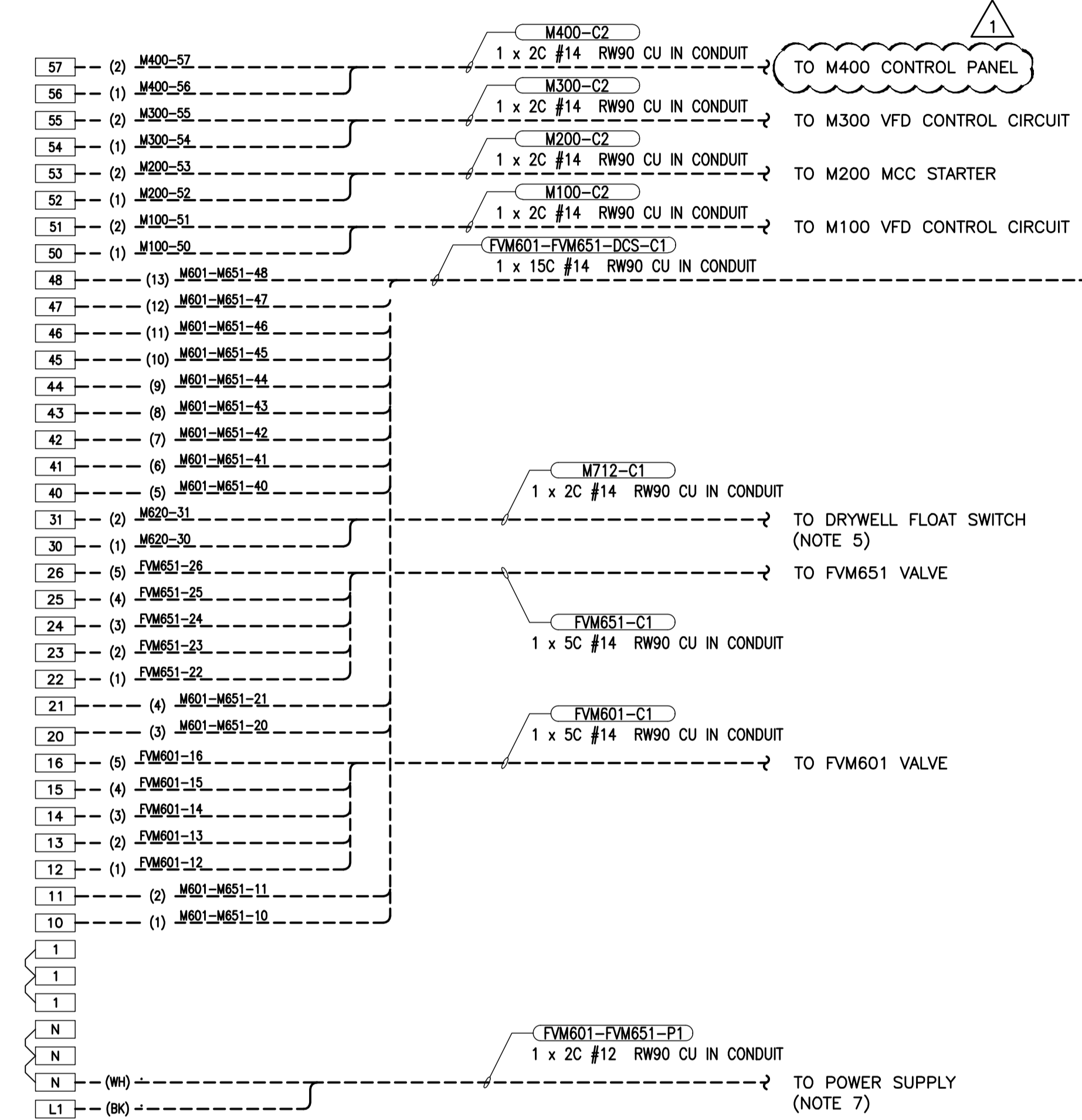
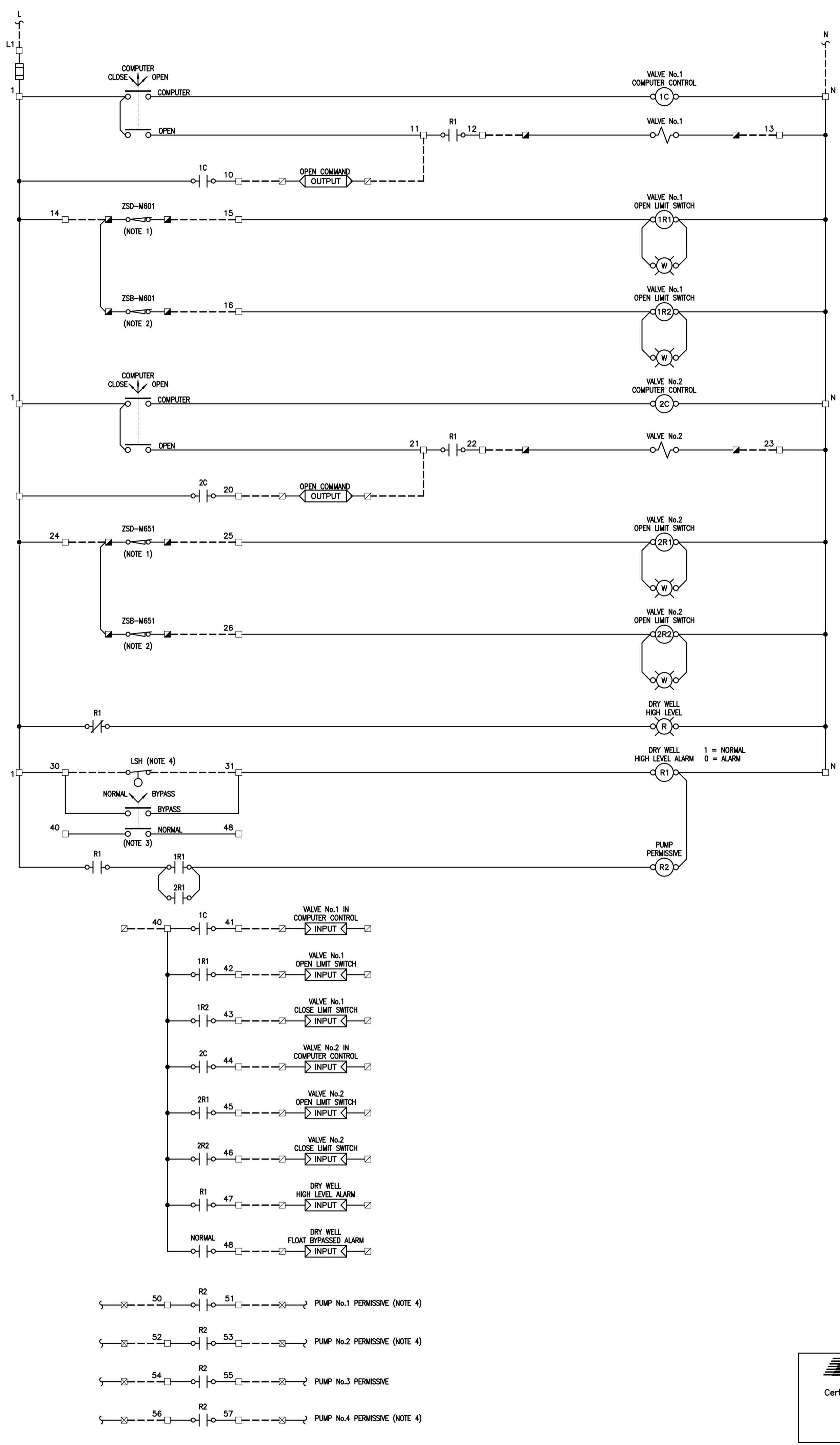
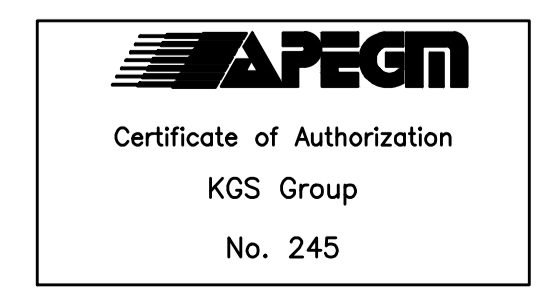


File Name: P:\Projects\2010\10-0107-23\Drawg\Elec\940-2011-Addendum\_1 Drawing\_E30 R1.dwg - Tab: E30 Plotted By: Gnelson 12/05/2011 [Mon 2:39pm] CW-9-M564-1



- NOTES:**
- LIMIT SWITCH CONTACT CLOSURE TO PROVE VALVE IN THE OPEN POSITION.
  - LIMIT SWITCH CONTACT CLOSURE TO PROVE VALVE IN THE CLOSED POSITION.
  - NORMAL BYPASS SWITCH FOR DRY WELL FLOAT SHALL BE INSTALLED INTERNALLY WITHIN CONTROL PANEL. SWITCH STATUS MONITORED BY THE DCS TO ALARM WHEN SWITCH IS IN THE BYPASS MODE.
  - EXISTING CONTROL WIRING TO BE RELOCATED FROM THE EXISTING NON-ESSENTIAL MCC (FOR THE INTERLOCKS OF VALVE FM83) TO THE NEW FV-M601 & FV-M651 CONTROL PANEL. REFER TO EXISTING CITY DRAWING WEP-689 FOR EXISTING DETAILS.
  - EXISTING CABLE TO BE DISCONNECTED FROM EXISTING MCC AND RELOCATED TO THE NEW STATION DISCHARGE VALVES CONTROL PANEL.
  - EXISTING CABLE BETWEEN THE EXISTING MCC AND DCS SHALL BE REMOVED. NEW CONNECTION BETWEEN THE TERMINATION SECTION AND THE DCS TO BE BY OTHERS.
  - CONTRACTOR TO EXTEND TO THE NEAREST AVAILABLE POWER PANEL. PROVIDE A NEW 15A SINGLE POLE BREAKER WITHIN THE PANEL.
  - M400 CONTROL PANEL IS LOCATED NEXT TO PUMP M400PP ON LEVEL 300.

- LEGEND**
- VALVE CONTROL PANEL TERMINALS
  - ▣ FIELD DEVICE TERMINALS
  - ▤ DCS TERMINALS
  - ▥ PUMP CONTROL PANEL TERMINALS
  - FIELD WIRING
  - PANEL WIRING
  - ( ) CONDUCTOR IDENTIFICATION
  - WIRE CONNECTION
  - PILOT LIGHT
  - ➔ OUTPUT PLC OUTPUT
  - ➔ INPUT PLC INPUT



NO.	REVISIONS	DATE	BY	DATE
1	ISSUED FOR ADDENDUM #1	2011-12-05	JLL	
0	ISSUED FOR TENDER	2011-11-07	JLL	

DESIGNED BY	DDW	CHECKED BY	JLL
DRAWN BY	GCN	APPROVED BY	RED
HDR. SCALE	N.T.S.	RELEASED FOR CONSTRUCTION	
VERTICAL	N.T.S.		
DATE	2011 05 20	DATE	

ENGINEER'S SEAL  
THE ORIGINAL ISSUE REV. 0 WAS STAMPED, DATED AND SIGNED  
BY J.L. LALONDE, P.ENG.  
ON 2011/11/07  
E30

**THE CITY OF WINNIPEG**  
WATER AND WASTE DEPARTMENT

REPLACEMENT OF RAW SEWAGE PUMP P-3 PERIMETER ROAD PUMPING STATION  
**ELECTRICAL**  
STATION DISCHARGE VALVES SCHEMATIC & WIRING DIAGRAM

SHEET 1 OF 1  
CITY DRAWING NUMBER